



Quick
Installation
Guide

**HD Network
Camera**

Contents

1. INTRODUCTION	2
2. SAFETY INSTRUCTIONS	2
3. INSTALLATION	4
3.1 INSTALLATION OF BULLET CAMERAS	4
3.2 INSTALLATION OF MINI DOME CAMERAS.....	6
3.3 INSTALLATION OF VANDAL-PROOF DOME CAMERAS	10
3.4 INSTALLATION OF INDOOR DOME CAMERAS	14
4. CONNECTING CABLES	17
5. LOGIN SYSTEM.....	18

1. Introduction

Thanks for purchasing our product. For any question or need, welcome contact us at any time. We will make every effort to ensure correctness of the information contained in this manual, which may be subject to change from time to time without prior notice.

2. Safety Instructions

- 1) Please comply with the power supply specifications as required for this equipment and select the correct power supply.
- 2) In case that the equipment fails to operate properly, immediately contact the manufacturer or the nearest service center, instead of disassembling or changing it in any way on your own.
- 3) For cleaning of the lens, be sure to use an air blower or dedicated lens cleaner. For cleaning of the plastic shield, use a soft and dry cloth to wipe it. Do not use any detergent containing alcohol or benzene.
- 4) Do not drop any object onto the device or Knock heavy on the equipment.
- 5) Do not put the camera toward any strong light source (or lighting lamp or sun), which may cause over-exposure or light leakage (not due to defect of the product) and impair useful life of the camera.
- 6) Avoid use of the equipment in any environment other than suggest in this manual.
- 7) Prevent water or any other liquid from flowing into the equipment.
- 8) For replacement of any part, contact the distributor in advance and make replacement with a new one , or similar components which have the same specification. Change any part in the device

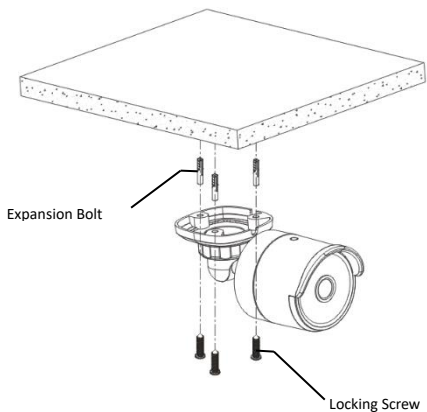
without authorization is not permit.

Operating Environment	
Power Supply	DC12V±10%
Temperature	-30°C~60°C
Humidity	10%~95%
Altitude	-60m~3000m
Atmosphere	86kpa~106kpa

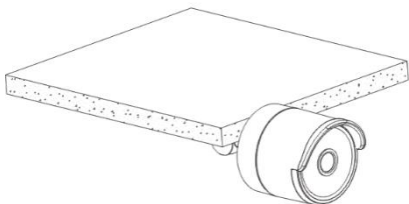
3. Installation

3.1 Installation of Bullet Cameras

a. Ceiling Mounting

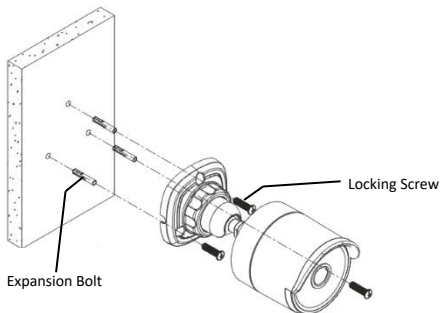


Insert three expansion bolts in place into the ceiling and fix the equipment with three locking screws.

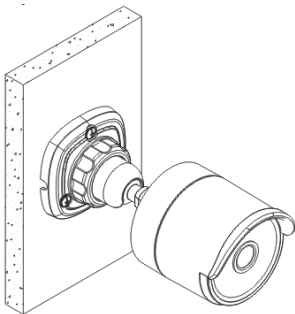


Completion of Installation

b. Wall Mounting



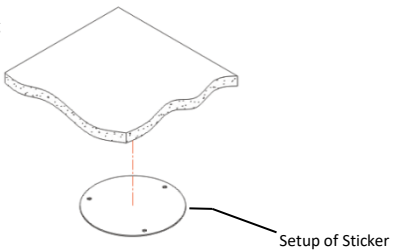
Insert three expansion bolts in place into the wall and fix the equipment with three locking screws.



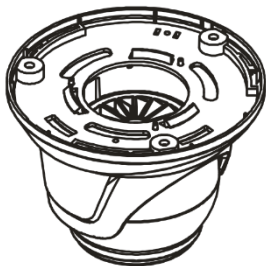
Completion of Installation

3.2 Installation of Mini Dome Cameras

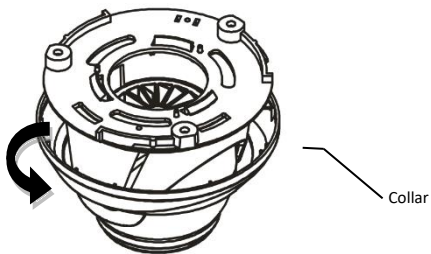
Ceiling Mounting



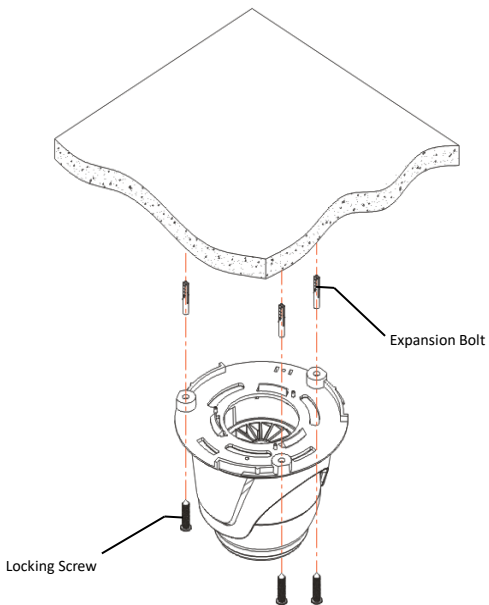
Paste the sticker in place at the proper position as selected.



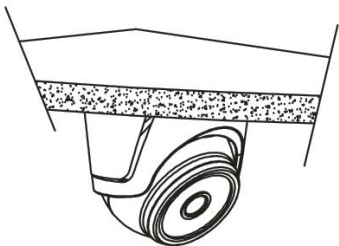
Mini Dome Camera



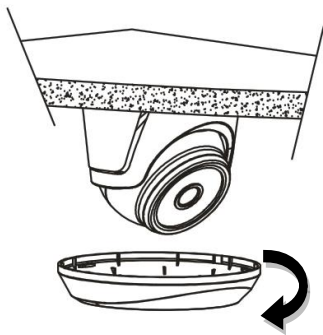
Remove the collar off the camera by rotating it down



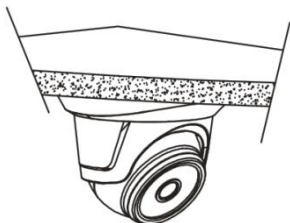
Fix the pedestal by drilling locking holes around the sticker and inserting three expansion bolts into the holes and fastening it with three locking screws.



Adjust it to an appropriate angle.



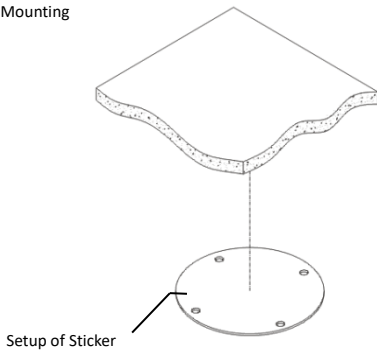
Mount the collar back by rotating it up



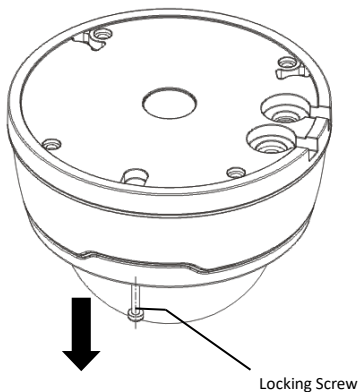
Completion of Installation

3.3 Installation of Vandal-Proof Dome Cameras

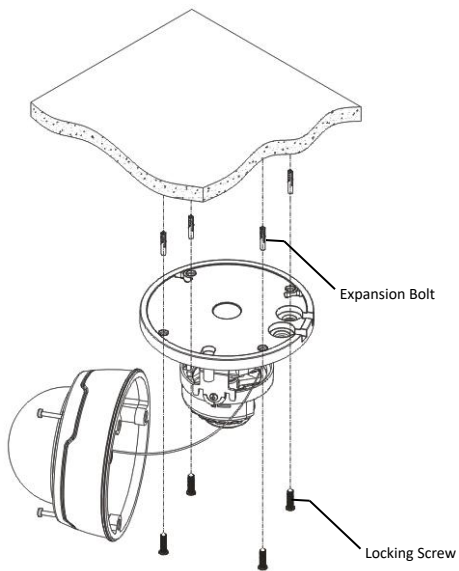
Ceiling Mounting



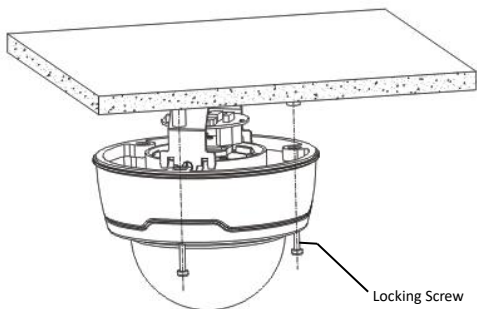
Paste the sticker in place at the proper position as selected.



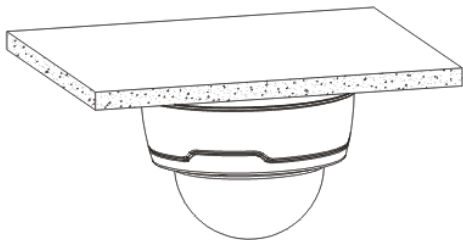
Remove the front component by loosening the three locking screws with a screwdriver.



Fix the pedestal by drilling locking holes around the sticker and inserting four expansion bolts into the holes and fastening it with four locking screws. Adjust it to an appropriate angle.



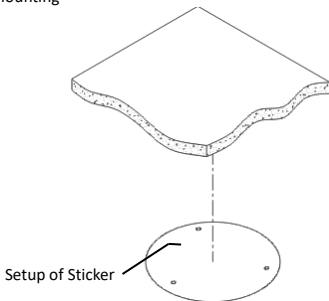
Fix the front component on the pedestal by tightening the three locking screws.



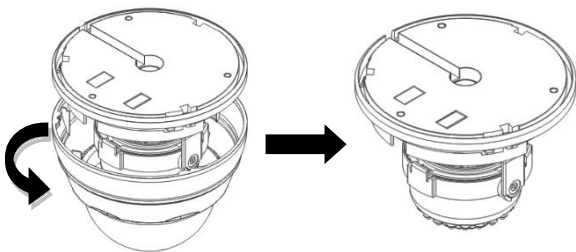
Completion of Installation

3.4 Installation of Indoor Dome Cameras

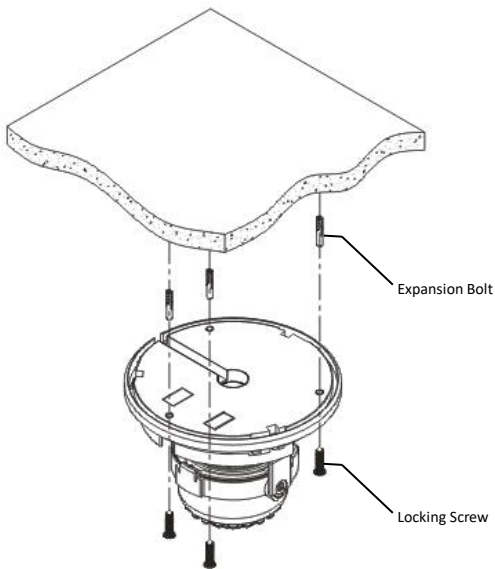
Ceiling Mounting



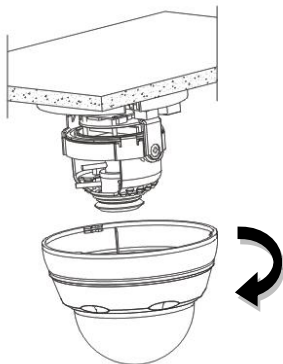
Paste the sticker in place at the proper position as selected.



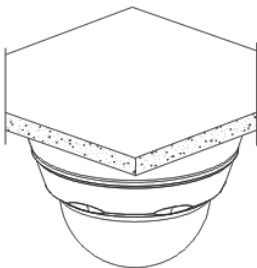
Remove the shield off the camera by rotating the collar down



Fix the base by drilling locking holes around the sticker and inserting three expansion bolts into the holes and fastening it with three locking screws. Adjust it to an appropriate angle.

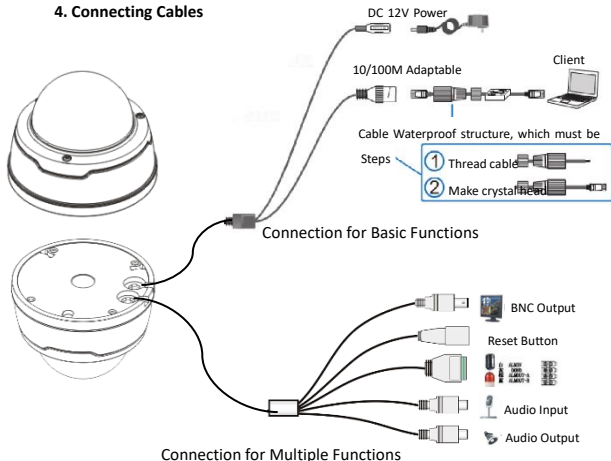


After angle adjustment, mount the shield back by rotating the collar up.



Completion of Installation

4. Connecting Cables



Note: Some model support POE function, after connect RJ45 cable, no need to connect additional power supply.
Standard models only have basic functions.
full function models have all connectors.

CAUTION

**RISK OF EXPLOSION IF BATTERY IS REPLACED BY AN INCORRECT TYPE
DISPOSE OF USED BATTERIES ACCORDING TO THE INSTRUCTIONS**

5.Login Menu System

1) Minimum system requirements:

CPU: Intel Core Duo II dual-core processor or higher

Memory: 1G or more

Video memory: 256M or more

Operating system: Windows 7/Windows 8/Windows 2008 (32/64-bit),

Windows 2003/Windows XP/Windows 2000 (only 32-bit)

Display: 1024 × 768 or higher resolution

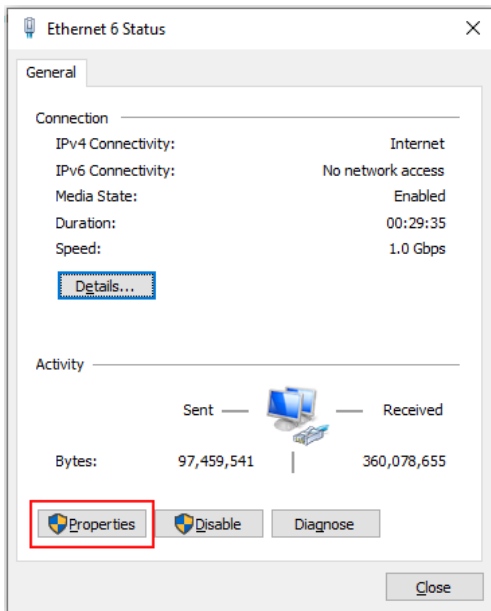
IE: IE 6.0 or higher version

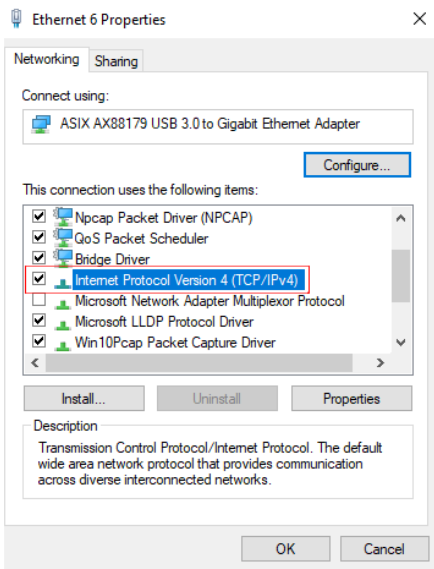
2) Network Connection Configuration

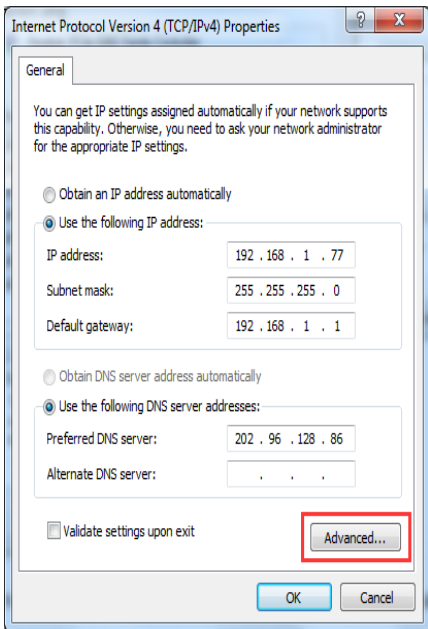
The default static IP address for the equipment is: 192.168.1.168

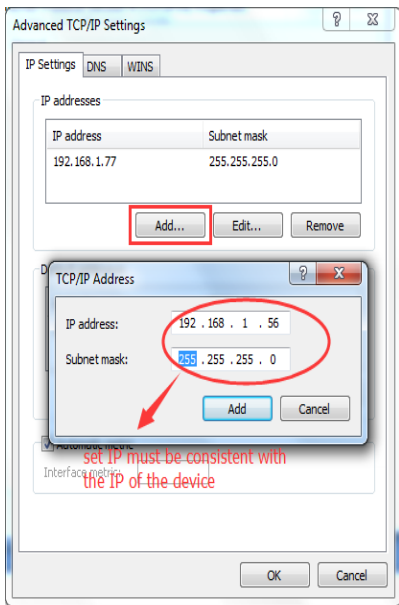
Procedure for Login Web interface:

Step 1: Run to Control Panel > Network Connection and Sharing > Local Connection in Windows 7 system, and set your PC in the same network segment where the camera is located, as shown below.









Note: When software IPC Device Search is used for search, which employs multicast protocol to search network information on the equipment across segments, and no multicast data packet is permitted by any firewall, so a firewall must be disabled to acquire network information on the equipment.

Step 2: Run the IP search tool Device Search provided in the CD as attached.

Search IP address for the equipment within the segment by clicking Search button. Any IP address acquired for the equipment and information on HTTP port will be displayed as below.

The screenshot shows the 'Device Search' application window. It has a blue header with 'Search', 'Platform Set', and 'Manual Setting' buttons. Below the header is a table titled 'Device List' with the following columns: No., IP, Media Port, Channel Number, Device Type, Device Version, Net Mask, GateWay, and M. The table contains 18 rows of device information. At the bottom of the window, there is a search form with fields for IP, GateWay, Net Mask, Web Port, and Media Port, along with a 'Modify' button. Below the form, there are fields for 'Username' (admin) and 'Password'. The version 'Version: V1.0.0.6' is displayed at the very bottom.

No.	IP	Media Port	Channel Number	Device Type	Device Version	Net Mask	GateWay	M
12	172.18.92.108	9988	1	IP Camera	V1.0.1.0_150708	255.255.0.0	172.18.0.1	0
13	172.18.92.111	9000	8	DVR	V5.3.0-20150429	255.255.0.0	172.18.0.1	0
14	172.18.92.113	9000	8	DVR	V5.3.0-20141020	255.255.0.0	172.18.0.1	0
15	172.18.92.146	9000	1	CH293H3_16M	V1.0.1.0_150716	255.255.0.0	172.18.0.1	0
16	172.18.92.147	9000	8		V5.2.0-20150326	255.255.0.0	172.18.0.1	0
17	172.18.92.151	9988	1	IP Camera	V1.0.1.0_150708	255.255.0.0	172.18.0.1	0
18	172.18.92.162	9988	1	IP CAMERA	V1.0.1.2-150705	255.255.0.0	172.18.0.1	0
19	172.18.92.161	9000	4	DVR	V6.1.0-20150713	255.255.0.0	172.18.0.1	0
20	172.18.92.210	9988	1	IP Camera	V1.0.1.0_150707	255.255.0.0	172.18.0.1	0
21	172.18.92.215	9988	1	IP Camera	V1.0.1.0_150707	255.255.0.0	172.18.0.1	0
22	172.18.92.218	9000	1	IP Camera	V1.0.1.0_150707	255.255.0.0	172.18.0.1	0
23	172.18.92.219	9000	8		V5.2.0-20150326	255.255.0.0	172.18.0.1	0
24	172.18.92.234	9988	1	IP CAMERA	V1.0.1.1-150421	255.255.0.0	172.18.0.1	0
25	172.18.92.236	9988	1	IPCAMERA	V1.0.1.1-150605	255.255.0.0	172.18.0.1	2
26	172.18.92.44	9000	8		V5.2.0-20150326	255.255.0.0	172.18.0.1	0
27	172.18.92.96	9988	1	IP CAMERA	V1.0.1.1-140812	255.255.0.0	172.18.0.1	0
28	172.18.92.160	9988	1	IP CAMERA	V1.0.1.1-150316	255.255.0.0	172.18.0.1	0
29	192.168.1.14	9988	1	IP Camera	V1.0.1.0_150707	255.255.255.0	192.168.1.1	0
30	192.168.1.58	9988	1	IP CAMERA	V1.0.1.1-150429	255.255.255.0	192.168.1.1	0
31	192.168.1.132	9000	8	VOBMR4108	V5.2.0-20150630	255.255.255.0	192.168.1.1	0

Search Form Fields:
 IP: GateWay: Net Mask: Web Port: Media Port:
 Username: admin Password:

Version: V1.0.0.6

Note: In case that access to IE by the equipment may fail due to IP address conflict, the IP address has to be changed.

Changing procedure: Select the IP address to change > put down the correct parameters > enter the password > click Change.

An example of correct parameters is given below: IP address:

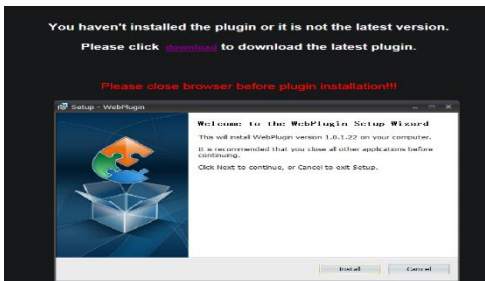
192.168.1.123; Gateway: 192.168.1.1; Subnet mast: 255.255.255.0

Account name: admin; Password: admin

Step 3: For initial use of Internet Explorer (IE) for access to the network camera, a plugin has to be installed by the following means:

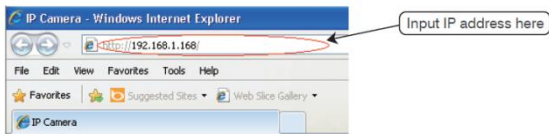
Access IP address of the IP camera to automatically load the controls from it.

In a pop-up plug-in installation dialog box, choose an installation option to perform the installation process.

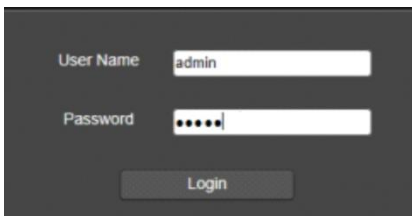


IPC Plugin

Step 5: Open IE and enter the IP address of the equipment in the address bar and press ENTER.



Step 6: Enter the user name and password (the default user name and password are both "admin"), and click "Login" to log in.



A dark-themed login interface. It features two input fields: "User Name" containing the text "admin" and "Password" containing six black dots. Below the fields is a "Login" button.

Step 7: After successful login, The default preview page will be displayed.





www.hilocctv.com