



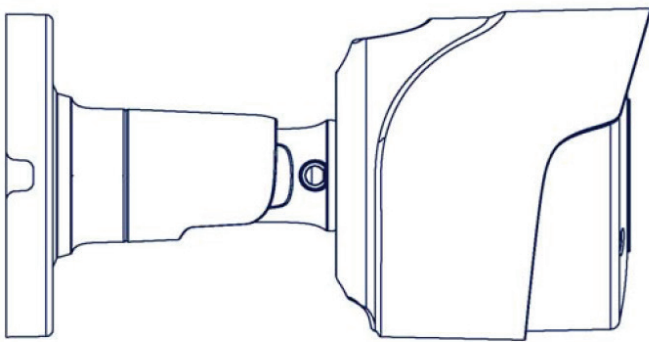
eyes on
security

RELIABLE | ROBUST | VERSATILE

PRODUCT

2024 CATALOGUE

hi! we are hilo



We design and build
cameras and recorders
that stand out:

Aesthetically
hilo will fit your style

Technically
hilo cameras and recorders
are feature-rich smart devices

Quality-wise
hilo builds robust
and reliable devices

Budget-wise
hilo is on budget



index



Hybrid Technology / Cameras

Fixed & Varifocal Dome / 2MP	5
Fixed & Varifocal Dome / 5MP	6
Fixed & Varifocal Dome / 4K	6
Fixed & Varifocal Bullet / 2MP	7
Fixed & Varifocal Bullet / 5MP	8
Fixed & Varifocal Bullet / 4K	9
Full Color / 2MP	10
Full Color / 5MP	10
PTZ	11
Accessories	12

Hybrid Technology / XVRs

5MP Lite / H.265	13-15
4K / H.265	15-16

IP Technology / Cameras

Fixed Dome / 2MP	18
Fixed Dome / 5MP / 4K	19
Varifocal Dome / 2MP	20
Varifocal Dome / 5MP / 4K	21
Fixed Bullet / 2MP	22
Fixed Bullet / 2MP / 5MP / 4K	23
Varifocal Bullet / 2MP / 5MP / 4K	24
Smart Dual Light 2MP	25
Active Deterrence / 4MP	26
Full Color 5MP	27
PTZ 2MP	28
Active Deterrence PTZ 4K	28
Accessories	29-30

IP Technology / NVRs

4K PoE	31
4K	32-33

Web & Mobile Management 34



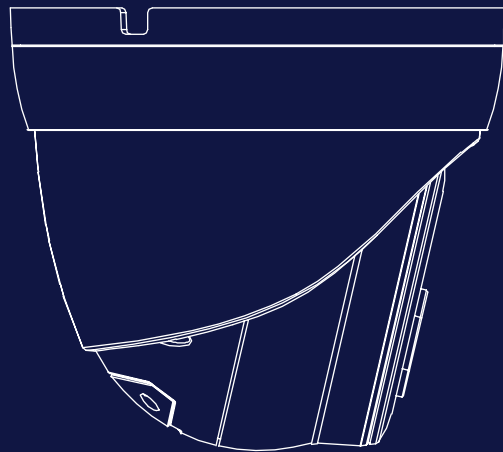
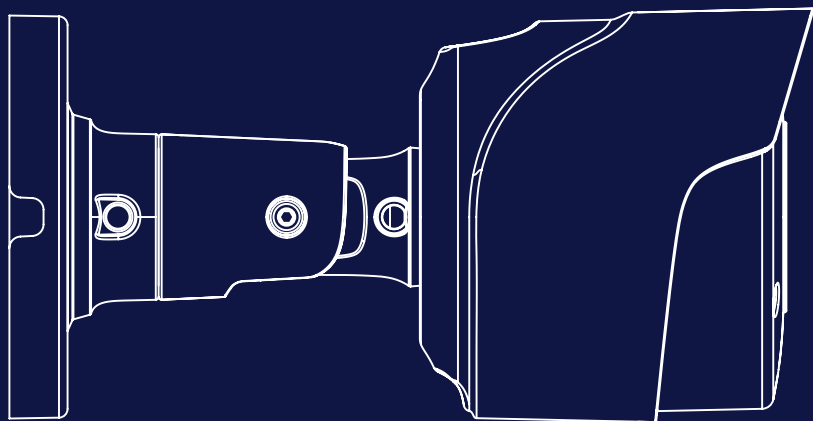
> Prices are MSRP and do not include VAT and recycling fee.





TECHNOLOGY

HYBRID



HL-DQ2028FD



- 2MP, 1920x1080 resolution
- 2.8mm fixed lens
- Max IR distance 30m
- DWDR, BLC, ATW, AGC
- Dip Switch menu cable
- IP67



SKU
1072068

HL-DQ2028FS



- 2MP, 1936x1096 resolution
- 2.8mm fixed lens
- Max IR distance 30m
- DWDR, BLC, ATW, AGC
- Dip Switch menu cable
- IP67



★
STARLIGHT

SKU
1072072

HL-DQ2028FW



- 2MP, 1920x1080 resolution
- 2.8mm fixed lens
- Max IR distance 30m
- WDR, BLC, ATW, 3D DNR
- Dip Switch menu cable
- IP67



★
STARLIGHT

SKU
1072102



VARIFOCAL DOME / 2MP

HL-DQ2028VD



- 2MP, 1920x1080 resolution
- 2.8-12mm varifocal lens
- Max IR distance 35m
- DWDR, BLC, ATW, AGC
- Dip Switch menu cable
- IP67



SKU
1072070

HL-DQ2028VA



- 2MP, 1920x1080 resolution
- 2.8-12mm varifocal lens
- Max IR distance 35m
- Dip Switch menu cable
- DWDR, BLC, ATW, AGC
- Anti-vandal
- IP67



SKU
1072096

HL-DQ5028FM



★
STARLIGHT
IVS
features

- 5MP, 2592x1944 resolution
- 2.8mm fixed lens
- Max IR distance 30m
- DWDR, BLC, ATW, AGC
- Built-in microphone
- IP67

SKU
1072116

HL-DQ5028FW



★
STARLIGHT

- 5MP, 2592x1944 resolution
- 2.8mm fixed lens
- Max IR distance 30m
- WDR, BLC, ATW, AGC, 3D DNR
- Dip Switch menu cable
- IP67

SKU
1072098

VARIFOCAL DOME / 5MP

HL-DQ5028V



- 5MP, 2592x1944 resolution
- 2.8-12mm varifocal lens
- Max IR distance 35m
- DWDR, BLC, ATW, AGC
- Dip Switch menu cable
- IP67

SKU
1072080

HL-DQ5028VW



★
STARLIGHT

- 5MP, 2592x1944 resolution
- 2.8-12mm varifocal lens
- Max IR distance 35m
- WDR, BLC, ATW, AGC, 3D DNR
- Dip Switch menu cable
- IP67

SKU
1072100

FIXED DOME / 4K

VARIFOCAL DOME / 4K

HL-DQ8028FW



★
STARLIGHT

- 8MP, 3840x2160 resolution
- 2.8mm fixed lens
- Max IR distance 25m
- WDR, BLC, ATW, AGC
- Dip Switch menu cable
- IP67

SKU
1072118

HL-DQ8028V



- 8MP, 3840x2160 resolution
- 2.8-12mm varifocal lens
- Max IR distance 35m
- DWDR, BLC, ATW, AGC
- Dip Switch menu cable
- IP67

SKU
1072084

HL-BQ2028FD



- 2MP, 1920x1080 resolution
- 2.8mm fixed lens
- Max IR distance 30m
- DWDR, BLC, ATW, AGC
- Dip Switch menu cable
- IP67

SKU
1073073

HL-BQ2028FS



- 2MP, 1936x1096 resolution
- 2.8mm fixed lens
- Max IR distance 30m
- DWDR, BLC, ATW, AGC
- Dip Switch menu cable
- IP67

STARLIGHTSKU
1073077

VARIFOCAL BULLET / 2MP

HL-BQ2028VD



- 2MP, 1936x1096 resolution
- 2.8-12mm varifocal lens
- Max IR distance 35m
- DWDR, BLC, ATW, AGC
- Dip Switch menu cable
- IP67

SKU
1073075

HL-BQ2027M



- 2MP, 1920x1080 resolution
- 2.7-13.5mm motorized lens
- Max IR distance 35m
- DWDR, BLC, ATW, 3D DNR
- Dip Switch menu cable
- IP67

STARLIGHTSKU
1073130

HL-BQ5028FS



★
STARLIGHT

- 5MP, 2592x1944 resolution
- 2.8mm fixed lens
- Max IR distance 25m
- DWDR, BLC, ATW, AGC
- Dip Switch menu cable
- IP67

SKU
1073079

HL-BQ5028FW



★
STARLIGHT

- 5MP, 2592x1944 resolution
- 2.8mm fixed lens
- Max IR distance 30m
- WDR, BLC, ATW, 3D DNR
- 4 in 1 (TVI, AHD, CVI, CVBS) switchable video output
- IP67

SKU
1073132

VARIFOCAL BULLET / 5MP

HL-BQ5028V



- 5MP, 2592x1944 resolution
- 2.8-12mm varifocal lens
- Max IR distance 35m
- DWDR, BLC, ATW, AGC
- Dip Switch menu cable
- IP67

SKU
1073085

HL-BQ5028VW



★
STARLIGHT

- 5MP, 2616x1964 resolution
- 2.8-12mm varifocal lens
- Max IR distance 35m
- WDR, BLC, ATW, 3D DNR
- 4 in 1 (TVI, AHD, CVI, CVBS) switchable video output
- IP67

SKU
1073134



HL-BQ8028FS



- 8MP, 3840x2160 resolution
- 2.8mm fixed lens
- Max IR distance 25m
- DWDR, BLC, ATW, AGC
- Dip Switch menu cable
- IP67

★
STARLIGHT

SKU
1073081

VARIFOCAL BULLET / 4K

HL-BQ8028V



- 8MP, 3840x2160 resolution
- 2.8-12mm varifocal lens
- Max IR distance 35m
- DWDR, BLC, ATW, AGC
- Dip Switch menu cable
- IP67



SKU
1073091



Colorful images with virtually no light. Just the light of the stars is enough to process full color images



HL-DQ2028FC



**FULL
COLOR**

- 2MP, 1920×1080 resolution
- Full color night vision
- 2.8mm fixed lens
- Max IR distance 30m
- 4 in 1 (TVI, AHD, CVI, CVBS) without joystick
- Built-in microphone
- IP67

SKU
1072112

HL-BQ2036FC



**FULL
COLOR**

- 2MP, 1920×1080 resolution
- Full color night vision
- 3.6mm fixed lens
- Max IR distance 30m
- 4 in 1 (TVI, AHD, CVI, CVBS) without joystick
- Built-in microphone
- IP67

SKU
1073316

HL-DQ5028FC



**FULL
COLOR**

- 5MP, 2608×1906 resolution
- Full color night vision
- 2.8mm fixed lens
- Max IR distance 30m
- 4 in 1 (TVI, AHD, CVI, CVBS) without joystick
- Built-in microphone
- IP67

SKU
1072114

HL-BQ5036FC



**FULL
COLOR**

- 5MP, 2608×1906 resolution
- Full color night vision
- 3.6mm fixed lens
- Max IR distance 30m
- 4 in 1 (TVI, AHD, CVI, CVBS) without joystick
- Built-in microphone
- IP67

SKU
1073318

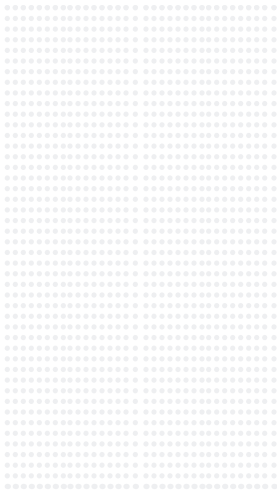
FULL COLOR



STANDARD



HL-PQ2020X*



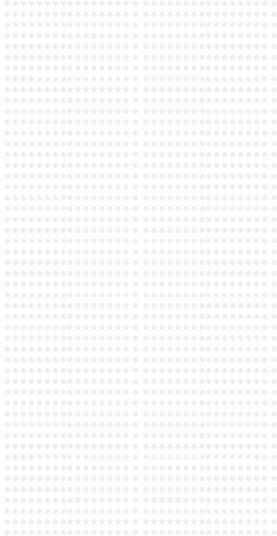
- 2MP, 1920 (H) x 1080 (V)
- 1/2.9" Progressive Scan CMOS
- 4.7~94mm
- 20X Optical Zoom
- IR range up to 150m
- Supports AHD/TVI/CVI/CVBS Output
- IP66



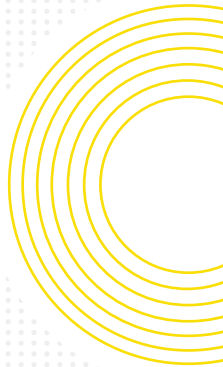
SKU
1069033

PTZ 5 MP

HL-PQ5033X*



- 5MP, 2560 (H) x 1920 (V)
- 1/2.8" Progressive Scan CMOS
- 4.6~152mm
- 33X Optical Zoom
- IR range up to 150m
- Supports AHD/TVI/CVI/CVBS Output
- IP66



SKU
1069035

* One year warranty for the electronics and two years for the mechanical parts

HL-JBRM01R



SKU
1215120

Universal junction box suitable for Dome Varifocal and Bullet Cameras

HL-JBRM02R



SKU
1215070

Junction box suitable for Dome Varifocal Cameras. Wall Mount bracket, HL-WBM03R is required.

HL-WBM03R



SKU
1215072

Wall Mount bracket suitable for Dome Varifocal Cameras. HL-JBRM02R is required

HL-JBRM04R



SKU
1215106

Universal junction box suitable for Mini Dome, Bullet Cameras

HL-AC833



SKU
1215091

Ceiling Mount Bracket suitable for PTZ Cameras HL-PQ2020X and HL-PQ5033X

HL-AC043



SKU
1215093

Corner Mount Bracket suitable for PTZ Cameras HL-PQ2020X and HL-PQ5033X

HL-AC243



SKU
1215095

Pole Mount Bracket suitable for PTZ Cameras HL-PQ2020X and HL-PQ5033X

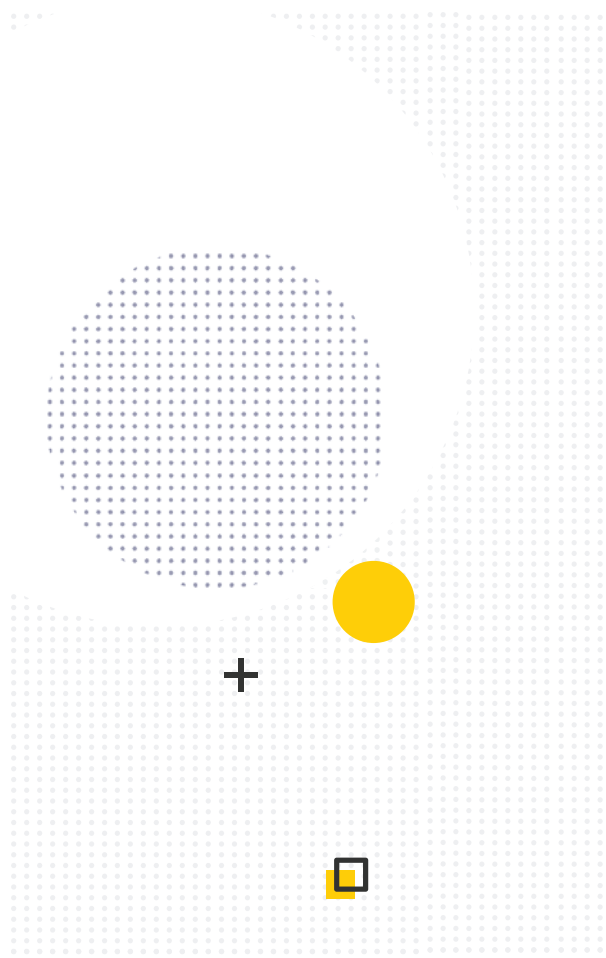


HILOXVR-D20410A



- Supports 4 analog + 2 IP channels (total 6 ch.)
- Record Resolution: 5MP Lite
- Record Speed: Analog: 5MP-Lite (1280x1944): 12fps (each ch), 4MP-Lite (1280x1440): 16fps (each ch), 1080P: 15fps (each ch), 720P: PAL: 25fps (each ch) / NTSC: 30fps (each ch) IP: PAL: 25fps (each ch) / NTSC: 30fps (each ch)
Sub-stream: Max: PAL 704*576:10fps(each ch)
- Intelligent Video functions: Perimeter intrusion, Line crossing, Stationary object, Pedestrian, Face detection, Cross counting, Sound detection, Occlusion detection, Schedule*
- Record Mode: Continuous/Manual/Motion detection
- Alarm Input/Output: 4ch / 1ch
- Video output: VGA & HDMI
- Audio input/output: 4ch / 1ch (RCA)
- 1 SATA HDD up to 10TB + eSATA

SKU
1434143



HILOXVR-D20810A



- Supports 8 analog + 4 IP channels (total 12ch.)
- Record Resolution: 5MP Lite
- Record Speed: Analog:
5MP-Lite (1280x1944): 12fps (each ch), 4MP-Lite (1280x1440): 16fps (each ch), 1080P: 15fps (each ch), 720P: PAL: 25fps (each ch) / NTSC: 30fps (each ch)
IP: PAL: 25fps(each ch) / NTSC: 30fps (each ch)
Sub-stream
Max: PAL 704*576:10fps (each ch)
- Intelligent Video functions: Perimeter intrusion, Line crossing, Stationary object, Pedestrian, Face detection, Cross counting, Sound detection, Occlusion detection, Schedule*
- Record Mode: Continuous/Manual/Motion detection
- Alarm input/output: 8ch / 1ch
- Audio input/output: 8ch / 1ch (RCA)
- Video output: VGA & HDMI
- 1 SATA HDD up to 10TB + eSATA

SKU
1434145



*Note: Intelligent analysis is available only in 1 analogue channel and only when IP cameras support IVS features

HILOXVR-D201610A



- Supports 16 analog + 4 IP channels (total 20 ch.)
- Record Resolution: 5MP Lite
- Record Speed: Analog: 5MP Lite: 12fps (each ch), 4MP-Lite: 16fps (each ch), 3MP-Lite: 19fps (each ch) 1080P: 15fps (each ch) 720P: PAL:25fps(each ch)/ IP : PAL:25fps(each ch)/ NTSC: 30fps(each ch) Sub-stream Max PAL: 704x576: 10fps/NTSC:704x480:10fps

- Intelligent Video functions: Perimeter intrusion, Line crossing, Stationary object , Pedestrian, Face detection, Cross counting, Sound detection, Occlusion detection, Schedule*
- Record Mode: Continuous/Manual/Motion detection
- Alarm Input/Output:4ch / 1 ch
- Audio Input/Output: 4ch / 1 ch (RCA)
- Video Output: VGA & HDMI
- 1 SATA HDD up to 10TB + eSATA

SKU
1434234

HILOXVR-DN201610A



- Supports 16 analog + 4 IP channels (total 20 ch.)
- Record Resolution: 5MP Lite
- Record Speed: Analog: 5MP Lite: 12fps, 4MP Lite: 16fps, 1080P: 15fps, 720P: PAL: 25fps / NTSC: 30fps IP: PAL: 25fps / NTSC: 30fps
- Intelligent Video functions: Perimeter intrusion, Line

- crossing, Face detection & recognition, Human & Vehicle Detection**
- Record Mode: Continuous/Manual/Motion detection
- Alarm Input/Output: 16ch / 1ch
- Audio Input/Output: 16ch / 1 ch (RCA)
- Video Output: VGA & HDMI
- 1 SATA HDD up to 10TB

SKU
1434266

HILOXVR-R201620A



- Supports 16 analog + 8 IP channels (total 24 ch.)
- Record Resolution: 5MP Lite
- Record Speed: Analog: 5MP Lite: 15fps, 4MP Lite: 18fps, 3MP: 10fps, 1080P: 15fps, 720P: PAL 25fps/NTSC 30fps IP: PAL: 25fps (each ch)/ NTSC: 30fps (each ch)
- Intelligent Video functions: Perimeter intrusion, Line crossing, Stationary object, Pedestrian, Face detection,

- Cross counting, Sound detection, Occlusion detection, Schedule*
- Record Mode: Continuous/Manual/Motion detection
- Search Mode: Time / Date, S.M.A.R.T.
- Alarm Input/Output: 16ch / 1ch
- Audio Input/Output: 16ch / 1 ch (RCA)
- Video Output: VGA & HDMI
- 2 SATA HDDs up to 10TB each + eSATA

SKU
1434248

Note: * Intelligent analysis is available only in 1 analogue channel and only when IP cameras support IVS features
** Intelligent analysis is available only in 8 analogue channels and only when IP cameras support IVS features

HILOXVR-R203240A



- Supports 32 analog + 4 IP channels (total 36 ch.)
- Record Resolution: 5MP Lite
- Record Speed: Analog: 5MP Lite: 15fps, 4MPLite: 18fps, 3MP: 10fps, 1080P: 15fps, 720P: PAL 25fps/NTSC 30fps IP: PAL 25fps (each ch)/NTSC 30fps (each ch)
- Intelligent Video functions: Perimeter intrusion, Line crossing, Stationary object, Pedestrian, Face detection,

- Cross counting, Sound detection, Occlusion detection, Schedule*
- Record Mode: Continuous/Manual/Motion detection
- Search Mode: Time / Date, S.M.A.R.T.
- Alarm Input/Output: 16ch / 1ch
- Audio Input/Output: 8ch / 1 ch (RCA)
- Video Output: VGA & HDMI
- 4 SATA HDDs up to 10TB each + eSATA

SKU
1434107

HILOXVR-D203240A



- Supports 32 analog + 4 IP channels (total 36 ch.)
- Record Resolution: 5MP Lite
- Record Speed: Analog: 5MP Lite: 15fps, 4MP Lite: 20fps, 1080P:15fps, 720P: PAL 25fps/NTSC 30fps IP: PAL: 25fps NTSC: 30fps

- Intelligent Video functions: Perimeter intrusion, Line crossing, Human&Vehicle Detection, Face detection and recognition*
- Record Mode: Continuous/Manual/Motion detection
- Alarm Input/Output: 16ch / 1ch
- Audio Input/Output: 8ch / 1ch
- Video Output: VGA & HDMI
- 4 SATA HDDs up to 10TB each + eSATA

SKU
1434252

HILOXVR-D80410A



- Supports 4 analog + 2 IP channels (total 6 ch.)
- Record Resolution: 4K
- Record Speed: Analog: 8MP: 6fps, 5MP: 8fps, 4MP: 10fps, 3MP: 12fps, 1080P: PAL: 25fps IP: PAL: 25fps (each ch)/NTSC: 30fps (each ch)
- Intelligent Video functions: Perimeter intrusion, Line crossing, Stationary object, Pedestrian, Face detection,

- Cross counting, Sound detection, Occlusion detection, Schedule*
- Record Mode: Continuous/Manual/Motion detection
- Search Mode: Time / Date, S.M.A.R.T.
- Alarm Input/Output: 4ch / 1ch
- Audio Input/Output: 4ch / 1 ch (RCA)
- Video Output: VGA & HDMI
- 1 SATA HDD up to 10TB + eSATA

SKU
1434197

Note: * Intelligent analysis is available only in 1 analogue channel and only when IP cameras support IVS features

HILOXVR-DN80810A



- Supports 8 analog + 4 IP channels (total 12 ch.)
- Record Resolution: 4K
- Record Speed: Analog: 8MP: 10fps, 5MP: 14fps, 4MP: 18fps, 1080P: PAL: 25fps /NTSC:30fps IP: PAL: 25fps/NTSC: 30fps
- Intelligent Video functions: Perimeter intrusion, Line

- crossing, Face detection & recognition, Human & Vehicle Detection**
- Record Mode: Continuous/Manual/Motion detection
- Alarm Input/Output: 8ch / 1ch
- Audio Input/Output: 8ch / 1ch
- Video Output: VGA & HDMI
- 1 SATA HDD up to 10TB

SKU
1434268

HILOXVR-R801620A



- Supports 16 analog + 8 IP channels (total 24 ch.)
- Record Resolution: 4K
- Record Speed: Analog: 8MP: 7fps, 5MP: 10fps, 4MP: 15fps, 3MP: 17fps, 1080P: PAL: 25fps IP: PAL: 25fps (each ch)/NTSC: 30fps (each ch)
- Intelligent Video functions: Perimeter intrusion, Line crossing, Stationary object, Pedestrian, Face detection,

- Cross counting, Sound detection, Occlusion detection, Schedule*
- Record Mode: Continuous/Manual/Motion detection
- Search Mode: Time / Date, S.M.A.R.T.
- Alarm Input/Output: 16ch / 1ch
- Audio Input/Output: 16ch / 1 ch (RCA)
- Video Output: VGA & HDMI
- 2 SATA HDDs up to 10TB each + eSATA

SKU
1434113

HILOXVR-D801620A



- Supports 16 analog + 8 IP channels (total 24 ch.)
- Record Resolution: 4K
- Record Speed: Analog: 8MP :10fps 5MP : 15fps / 4MP : 20fps / 1080P: PAL: 25fps / NTSC: 30fps IP: PAL: 25fps / NTSC: 30fps

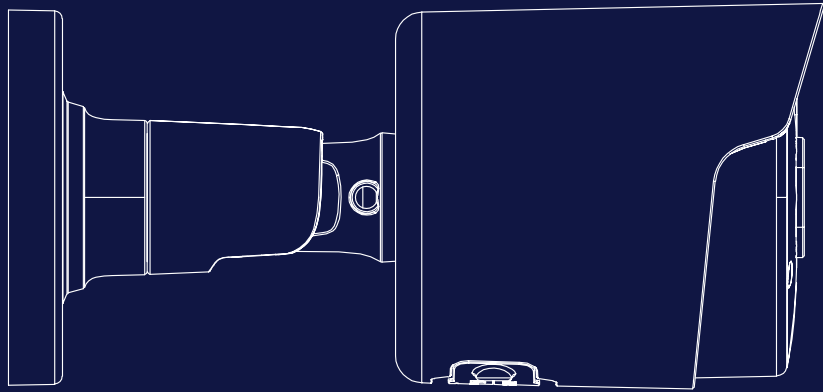
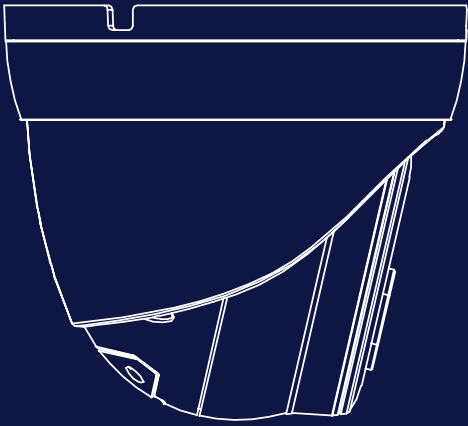
- Intelligent Video functions: Perimeter intrusion, Line crossing, PD&VD, Face recognition, Face detection*
- Record Mode: Continuous/Manual/Motion detection
- Alarm Input/Output: 16ch / 1ch
- Audio Input/Output: 16ch / 1 ch (RCA)
- Video Output: VGA & HDMI
- 2 SATA HDDs up to 10TB each + eSATA

SKU
1434248

Note: * Intelligent analysis is available only in 1 analogue channel and only when IP cameras support IVS features
** Intelligent analysis is available only in 8 analogue channels and only when IP cameras support IVS features

IP TECHNOLOGY

 hilo



HL-DIB2028F

- Compact design, metal case
- H.265 encoding, 2MP@30fps
- 2.8mm fixed lens
- Smart IR up to 30m
- DWDR, Defog, BLC, HLC
- Built-in microphone
- Micro SD up to 256GB
- DC12V/ PoE



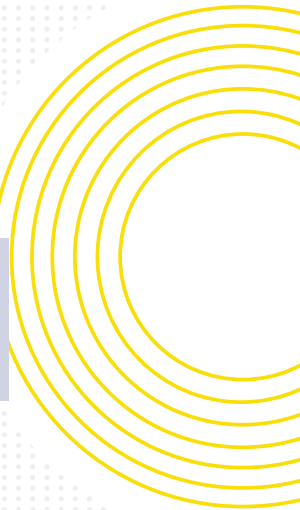
SKU
1115268

HL-DI2028FWI

- Compact design, metal case
- H.265 encoding, 2MP@30fps
- 2.8mm fixed lens
- Smart IR up to 30m
- WDR, BLC, HLC, Defog
- Micro SD up to 256GB
- Built-in microphone
- Motion event, I/O alarm event, Sound Detection, Face Detection, Human/Vehicle Detection, PIR, LCD, SOD, CC, CD, QD, LPD, RSD
- DC12V/ PoE



★
STARLIGHT
IVS
features
SKU
1123063



HL-DI5028FM



- Compact design, metal case
- 1/ 2.7" Progressive Scan CMOS
- H.265 encoding, 5MP@30fps
- 2.8mm fixed lens
- Smart IR up to 30m
- WDR, Defog, BLC, HLC
- Built-in microphone
- Micro SD up to 256GB
- Face Recognition, Human & Vehicle Detection, Perimeter Intrusion Detection, Line Crossing Detection, Cross Counting, Stationary Object Detection, Heat Map, Crowd Density Detection, Queue Length Detection, License Plate Detection, Rare Sound Detection
- DC12V/ PoE

★
STARLIGHTIVS
featuresSKU
1123073

FIXED DOME 4K

HL-DI8028FM



- Compact design, metal case
- 2.8mm fixed lens
- H.265+ encoding, 8MP@30fps
- Smart IR up to 30m
- WDR, ROI, Defog, BLC, HLC
- Built-in microphone
- Motion event, alarm event, Smart Motion detection, Face Detection, Human/Vehicle Detection, Video Tampering
- DC12V/ PoE

★
STARLIGHTIVS
featuresSKU
1123057

HL-DI2027VMI



- Compact design, metal case
- 2.8-12 mm motorized lens
- H.265+ encoding, 2MP@30fps
- Smart IR up to 45m
- WDR, BLC, HLC, ROI, Defog
- microSD up to 256 GB
- 2 way audio
- Motion event, I/O alarm event, Sound Detection, Face Detection, Human/Vehicle Detection, PIR, LCD, SOD, CC, CD, QD, LPD, RSD
- DC12V / PoE

★
STARLIGHT

IVS
features

SKU
1123065

HL-DI2028VM



- Compact design, metal case
- 2.7-13.5mm motorized lens
- H.265+ encoding, 2MP@30fps
- Smart IR up to 45m
- WDR, ROI, ATW, BLC, HLC
- ROI, Defog
- microSD up to 256 GB
- DC12V / PoE



★
STARLIGHT

SKU
1123053

+



×



HL-DI5027VM



- Compact design, metal case
- 2.8-12mm motorized lens
- H.265+ encoding, 5MP@30fps
- Smart IR up to 45m
- WDR, ROI, ATW, BLC, HLC, Defog
- microSD up to 256 GB
- Motion event, alarm event, Smart Motion detection, Face Detection, Human/Vehicle Detection, Video Tampering
- DC12V / PoE

★
STARLIGHT

IVS
features

SKU
1123055

HL-DI8027VWI



- Compact design, metal case
- 2.7-13.5mm varifocal lens
- H.265+ encoding, 8MP@30fps
- Smart IR up to 45m
- WDR, BLC, HLC, Defog
- microSD up to 256 GB
- Face Recognition, Pedestrian & Vehicle, Perimeter Intrusion , Line Crossing, Object Detection, Crossing Counting, Heat Map, Crowd Density, Queue Length, License Plate, Rare Sound, Intrusion, Region Entrance & Exiting
- DC12V / PoE

★
STARLIGHT

IVS
features

SKU
1129022



HL-BIB2028F**NEW
PRODUCT**

- Compact design, metal case
- H.265 encoding, 2MP@30fps
- 2.8mm fixed lens
- Smart IR up to 30m
- DWDR, Defog, BLC, HLC
- Built-in microphone
- Micro SD up to 256GB
- DC12V/ PoE

SKU
1115270**HL-BI2028FM**★
STARLIGHT

- Compact design, metal case
- 2.8mm fixed lens
- H.265+ encoding, 2MP@30fps
- Smart IR up to 30m
- WDR, ROI, ATW, BLC, HLC
- ROI, Defog
- Built-in microphone
- DC12V/ PoE

SKU
1115100

HL-BI2028FWI



- Compact design, metal case
- 2.8mm fixed lens
- H.265+ encoding, 2MP@30fps
- Smart IR up to 30m
- WDR, BLC, HLC, Defog
- Built-in microphone
- Motion event, I/O alarm event, Sound Detection, Face Detection, Human/Vehicle Detection, PIR, LCD, SOD, CC, CD, QD, LPD, RSD
- DC12V/ PoE

★
STARLIGHT

IVS
features

SKU
1115196



IP TECHNOLOGY / CAMERAS

FIXED BULLET 5MP

HL-BI5028F



- Compact design, metal case
- 1/ 2.7" Progressive Scan CMOS
- H.265 encoding, 5MP@20fps
- 2.8mm fixed lens
- Smart IR up to 30m
- WDR, ROI, Defog, BLC, HLC
- Micro SD up to 256GB
- Motion event, alarm event, Smart Motion detection, Face Detection, Human/Vehicle Detection, Video Tampering
- Built-in microphone
- DC12V/ PoE

★
STARLIGHT

IVS
features

SKU
1115072

FIXED BULLET 4K

HL-BI8028FM



- Compact design, metal case
- 2.8mm fixed lens
- H.265+ encoding, 8MP@30fps
- Smart IR up to 30m
- WDR, ROI, Defog, BLC, HLC
- Built-in microphone
- Motion event, alarm event, Smart Motion detection, Face Detection, Human/Vehicle Detection, Video Tampering
- DC12V / PoE

★
STARLIGHT

IVS
features

SKU
1115106

HL-BI2027VM



★
STARLIGHT

SKU
1115102

- Compact design, metal case
- 2.7-13.5mm motorized lens
- H.265+ encoding, 2MP@30fps
- Smart IR up to 50m
- WDR, BLC, HLC, Defog
- microSD up to 256 GB
- 2 way audio
- DC12V / PoE

HL-BI2027VM I



★
STARLIGHT

IVS
features

SKU
1115194

- Compact design, metal case
- 2.8-12 mm motorized lens
- H.265+ encoding, 2MP@30fps
- Smart IR up to 45m
- WDR, BLC, HLC, Defog
- microSD up to 256 GB
- Motion event, I/O alarm event, Sound Detection, Face Detection, Human/Vehicle Detection, PIR, LCD, SOD, CC, CD, QD, LPD, RSD
- DC12V / PoE

VARIFOCAL BULLET 5 / 4K

HL-BI5027VM



★
STARLIGHT

IVS
features

SKU
1115104

- Compact design, metal case
- 2.8-12mm motorized lens
- H.265+ encoding, 5MP@30fps
- Smart IR up to 50m
- WDR, ROI, ATW, BLC, HLC, Defog
- microSD up to 256 GB
- DC12V / PoE

HL-BI8027VM



★
STARLIGHT

IVS
features

SKU
1115108

- Compact design, metal case
- 2.8-12mm motorized lens
- H.265+ encoding, 8MP@30fps
- Smart IR up to 50m
- WDR, ROI, ATW, BLC, HLC, Defog
- microSD up to 256 GB
- DC12V / PoE



HL-BI2028FDL**NEW
PRODUCT**

- Compact design, metal case
- 2.8mm fixed lens
- H.265+ encoding, 2MP@25fps
- Smart IR up to 25m
- d-WDR, BLC, HLC, Defog
- Built-in microphone
- Human & Vehicle Detection, Perimeter Intrusion Detection, Line Crossing Detection
- DC12V/ PoE

**FULL
COLOR****DUAL LIGHT
TECHNOLOGY****IVS
features**SKU
1115312**HL-DI2028FDL****NEW
PRODUCT**

- Compact design, metal case
- H.265 encoding, 2MP@25fps
- 2.8mm fixed lens
- Smart IR up to 25m
- d-WDR, BLC, HLC, Defog
- Micro SD up to 256GB
- Built-in microphone
- Human & Vehicle Detection, Perimeter Intrusion Detection, Line Crossing Detection
- DC12V/ PoE

**FULL
COLOR****DUAL LIGHT
TECHNOLOGY****IVS
features**SKU
1115314**Dual Lighting Modes****Full Color Mode**

Warm LED Lighting
Warm light distance reaches up to 25m

Day / Night Mode

Warm LED can be turned to warning light
IR LED Lighting
IR light distance reaches up to 30m

HL-DI4028FAD



- 1/3" Progressive Scan Cmos
- 2.8mm fixed lens
- H.265 encoding, 4MP@25fps
- Smart IR up to 25m
- ROI, defog, BLC, HLC
- Micro SD up to 256GB
- Built-in microphone & speaker
- Motion event, alarm event, Smart Motion detection, Face Detection, Human/Vehicle Detection, Video Tampering
- DC12V / PoE

FULL COLOR

IVS features

SKU 1123071

HL-BI4028FAD

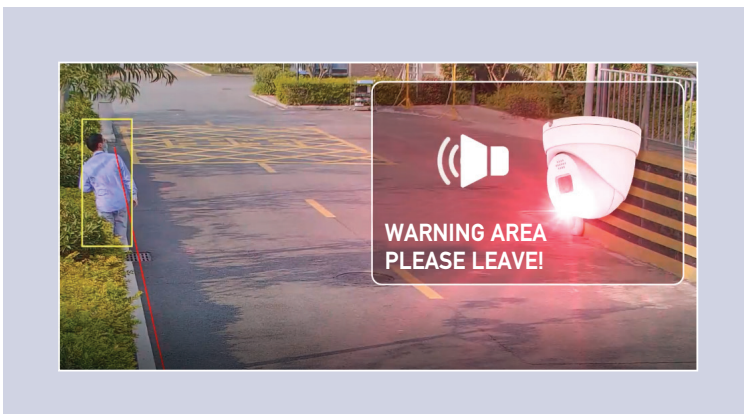


- 1/3" Progressive Scan CMOS
- 2.8mm fixed lens
- H.265 encoding, 4MP@25fps
- Smart IR up to 25m
- ROI, defog, BLC, HLC
- Micro SD up to 256GB
- Built-in Microphone & Speaker
- Motion event, alarm event, Smart Motion detection, Face Detection, Human/Vehicle Detection, Video Tampering
- DC12V/ PoE

FULL COLOR

IVS features

SKU 1115216



HL-BI5028VMAD

**NEW
PRODUCT**

- Compact design, metal case
- 2.8-12mm motorized lens
- H.265+ encoding, 5MP@30fps
- Smart IR up to 35m
- d-WDR, BLC, HLC, Defog
- Face Recognition, Human & Vehicle Detection, Perimeter Intrusion Detection, Line Crossing Detection, Cross Counting, Stationary Object Detection, Heat Map, Crowd Density Detection, Queue Length Detection, License Plate Detection, Rare Sound Detection
- DC12V/ PoE

**FULL
COLOR****IVS
features**SKU
1115316

HL-DI5028VMAD

**NEW
PRODUCT**

- Compact design, metal case
- 2.8-12mm motorized lens
- H.265+ encoding, 5MP@30fps
- Smart IR up to 30m
- d-WDR, BLC, HLC, Defog
- Face Recognition, Human & Vehicle Detection, Perimeter Intrusion Detection, Line Crossing Detection, Cross Counting, Stationary Object Detection, Heat Map, Crowd Density Detection, Queue Length Detection, License Plate Detection, Rare Sound Detection
- DC12V/ PoE

**FULL
COLOR****IVS
features**SKU
1115318

HL-PI2025XW

**NEW
PRODUCT**



- 2MP, 1920x1080
- 1/2.8" Progressive Scan CMOS
- 5mm - 125mm
- 25X Optical Zoom
- IR range up to 100m
- Face Recognition, Human & Vehicle Detection, Perimeter Intrusion Detection, Line Crossing Detection, Stationary Object Detection, Crossing Counting, Heat Map, Crowd Density Detection, Queue Length Detection, License Plate Detection
- Alarm & Audio: 1 / 1
- IP66
- DC 12V/POE+

AUTO TRACKING

IVS features

SKU
1138022

IP TECHNOLOGY / CAMERAS

ACTIVE DETERRENCE PTZ 4K

HL-PI204XAD

**NEW
PRODUCT**



- 8MP, 3840x2160
- 1/2.7" Progressive Scan CMOS
- 2.8mm - 12mm
- 4X Optical Zoom
- IR range up to 30m
- Face Recognition, Human & Vehicle Detection, Perimeter Intrusion Detection, Line Crossing Detection, Stationary Object Detection, Crossing Counting, Heat Map, Crowd Density Detection, Queue Length Detection, License Plate Detection
- IP66
- DC12V/ PoE

FULL COLOR

IVS features

SKU
1138020



HL-JBRM01R



Universal junction box suitable for Dome Varifocal and Bullet Cameras

SKU
1215120

HL-JBRM02R



Junction box suitable for Dome Varifocal Cameras. Wall Mount bracket, HL-WBM03R is required

SKU
1215070

HL-JBRM04R



Universal junction box suitable for Mini Dome, Bullet Cameras

SKU
1215106

HL-WBM03R



Wall Mount bracket suitable for Dome Varifocal Cameras. HL-JBRM02R is required

SKU
1215072

HL-PLBR01R



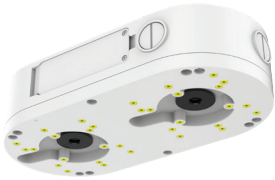
Pole Mount Bracket for PTZ cameras. Compatible with HL-JBRM01R, HL-WBM03R, HL-JBDL07RB, HL-JBDL08RB

SKU
1215226



DUAL CAMERA JUNCTION BOX WITH BUILT-IN PoE SWITCH

HL-JBDL07R



SKU
1215214

2 channel PoE switch junction box for dome & bullet varifocal cameras

HL-JBDL07RA



SKU
1215216

Junction box cover for HL-JBDL07R

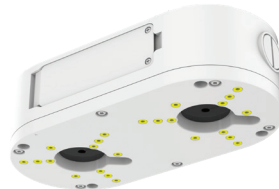
HL-JBDL07RB



SKU
1215218

Holder bracket for HL-JBDL07RA

HL-JBDL08R



SKU
1215220

2 channel PoE switch junction box for dome & bullet fixed cameras

HL-JBDL08RA



SKU
1215224

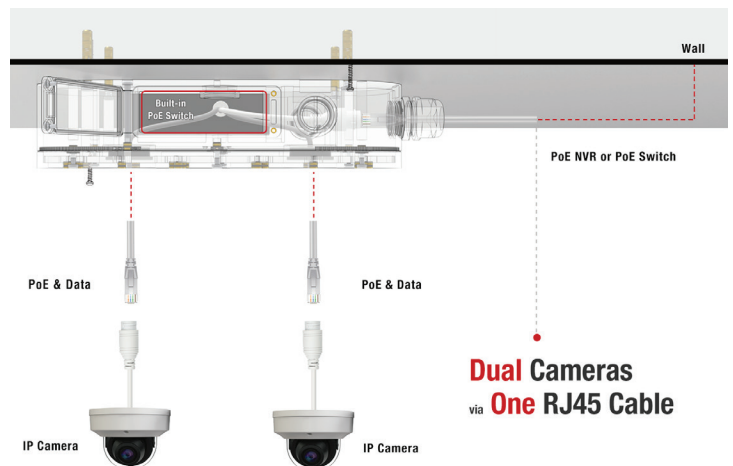
Junction box cover for HL-JBDL08R

HL-JBDL08RB



SKU
1215222

Holder bracket for HL-JBDL08RA



HILONVR-E80410P

PoE



- Supports 4 channels
- Compression: H.265/H.264
- Record Rate: 4K: 45fps
4MP: 90fps
2MP: 180fps
- Bit Rate: Max 50Mbps
- Intelligent Video functions*
- Alarm Input/Output: No
- Audio Input/Output: No
- Video Output: Simultaneous HDMI & VGA up to 4K
- 1 SATA HDD supports 10TB

SKU
1602022

HILONVR-E804010PA

PoE



- Supports 4 channels
- Record Resolution: up to 4K
- Compression: H.265 / H.264
- Record Rate: 4K: 45fps / 4MP: 90fps / 2MP: 180fps
- Bit Rate: up to 50Mbps
- Intelligent Video functions*
- Alarm Input/Output: 4ch in / 1ch out
- Audio input / output: 1ch in / 1ch out
- Video Output: Simultaneous HDMI & VGA up to 4K
- 1 SATA HDD, up to 10TB + eSATA

SKU
1602024

HILONVR-E80810P

PoE



- Supports 8 channels
- Record Resolution: up to 4K
- Compression: H.265/H.264
- Record Rate: Max 2ch 4K@30fps, Max 3ch 5MP@45fps
Max 4ch 4MP@60fps, Max 5ch 3MP@75fps
2MP@120fps
- Bit Rate: up to 80Mbps
- Intelligent Video functions*
- Alarm Input/Output: No
- Audio Input/Output: No
- Video Output: Simultaneous HDMI & VGA up to 4K
- 1 SATA HDD up to 10TB

SKU
1603019

*Note: Intelligent analysis is available only when cameras support IVS features

HILONVR-NT804010



**NEW
PRODUCT**

- Supports 4 channels
- Record Resolution: up to 4K
- Compression: H.265/H.264
- Record Rate: 4K:45fps / 4MP:90fps / 2MP:180fps
- Bit Rate: Max 128Mbps

- Intelligent Video and AI functions*
- Audio input / output: 1ch in / 1ch out
- Video Output: Simultaneous HDMI & VGA up to 4K
- 1 SATA HDD up to 10TB

SKU
1602026

HILONVR-NT808010A



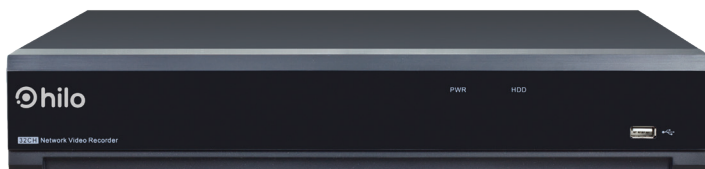
**NEW
PRODUCT**

- Supports 8 channels
- Record Resolution: up to 4K
- Compression: H.265/H.264
- Record Rate: 4K:45fps / 4MP:90fps / 2MP:180fps
- Bit Rate: Max 128Mbps

- Intelligent Video and AI functions*
- Alarm Input/Output: 8ch in / 1ch out
- Audio input / output: 1ch in / 1ch out
- Video Output: Simultaneous HDMI & VGA up to 4K
- 1 SATA HDD up to 10TB

SKU
1603023

HILONVR-NT801620



**NEW
PRODUCT**

- Supports 16 channels
- Record Resolution: up to 4K
- Compression: H.265 / H.264
- Record Rate: 4K: 60fps / 4MP: 120fps / 2MP: 240fps
- Bit Rate: up to 128Mbps

- Intelligent Video and AI functions*
- Audio input / output: 1ch in / 1ch out
- Video Output: Simultaneous HDMI & VGA up to 4K
- 2 SATA HDDs up to 10TB each

SKU
1602028

**Note: Intelligent analysis is available only when cameras support IVS features*

HILONVR-PR801620



- Supports 16 channels
- Compression: H.265/H.264
- Record Rate: 4K: 60fps
4MP: 120fps
2MP: 240fps
- Bit Rate: Max 128Mbps

- Intelligent Video and AI functions*
- Alarm Input/Output: 16ch in / 1ch out
- Audio Input/Output: 1ch in / 1ch out
- Video Output: Simultaneous HDMI & VGA up to 4K
- 2 SATA HDDs support up to 10TB each + eSATA

SKU
1602030

HILONVR-RK803220A



- Supports 32 channels
- Compression: H.265/H.264
- Record Rate: 4K: 60fps
4MP: 120fps
2MP: 240fps
- Bit Rate: Max 128Mbps

- Intelligent Video and AI functions*
- Alarm Input/Output: 16ch in / 1ch out
- Audio Input/Output: 1ch in / 1ch out
- Video Output: Simultaneous HDMI & VGA up to 4K
- 2 SATA HDDs support up to 10TB each + eSATA

SKU
1610092



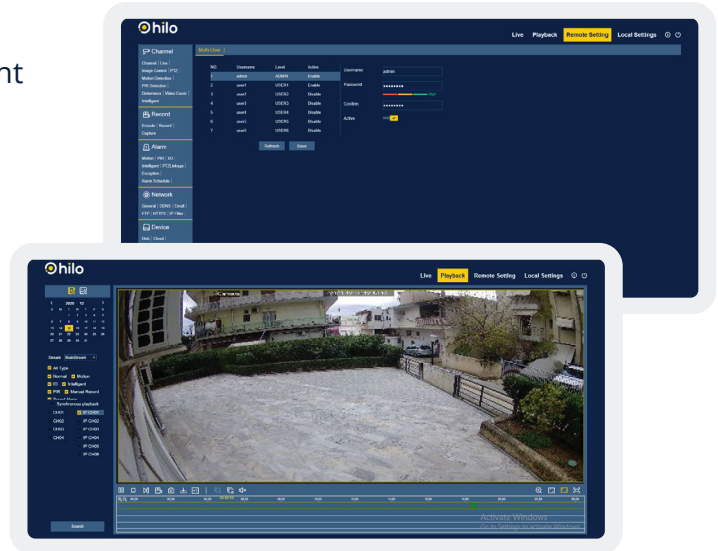
*Note: Intelligent analysis is available only when cameras support IVS features

Hilo Web Interface

Operate, configure and manage all your hilo devices from your browser!

- No need to install and setup extra software
- Easy and configurable UI
- Users & User Levels Management
- Notifications, alarms and recordings management

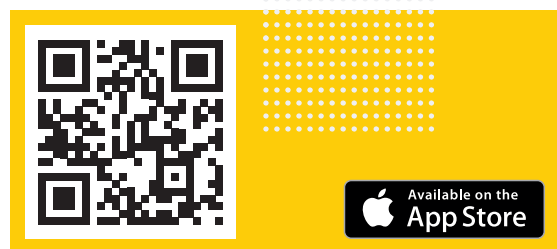
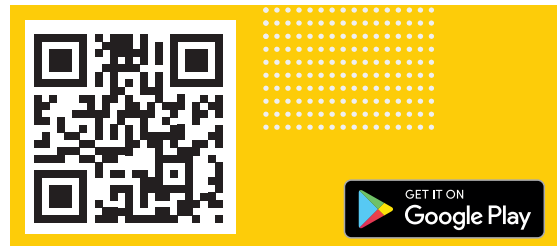
WEB & MOBILE MANAGEMENT



Hilo Smartphone app

All your hilo CCTV system in the palm of your hand

- Add your hilo devices with QR scan
- Create device groups
- Setup and configure remotely
- Get push notifications





eyes on security

